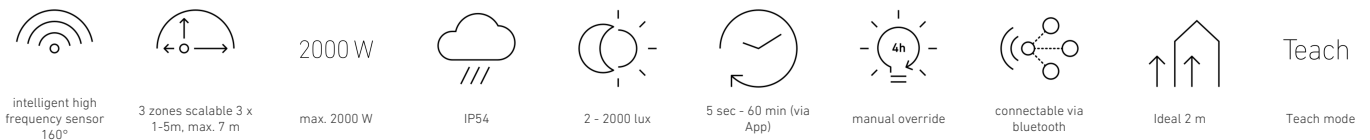


iHF 3D

COM1 - anthracite
 EAN 4007841 066178
 Article number 066178



Function description

Makes all the difference outside. Precisely where you want it to. iHF 3D motion detector, ideal for facades, carports, parking areas and patios. 160° iHF-sensor with 5 m reach, 3D aerial technology, identifies and distinguishes between moving objects, no inadvertent triggering any more by small animals, very low or high temperatures. Detects everything equally well whichever direction it is approached from. Easy to adjust and interconnect by app and Bluetooth.

Technical specifications

Dimensions (L x W x H)	120 x 117 x 120 mm	Optimum mounting height	1,8 m
With motion detector	Yes	HF-system	5,8 GHz
Manufacturer's Warranty	5 years	Detection angle	160 °
Settings via	Potentiometers, Bluetooth	Angle of aperture	100 °
With remote control	No	Sneak-by guard	Yes
Version	COM1 - anthracite	Capability of masking out individual segments	Yes
PU1, EAN	4007841066178	Electronic scalability	Yes
Type	Motion detectors	Mechanical scalability	No
Application, place	Outdoors	Reach, radial	r = 5 m (35 m ²)
Application, room	outdoors, front door, all round the building, terrace / balcony, courtyard & driveway	Reach, tangential	r = 5 m (35 m ²)
Colour	Anthracite	Transmitter power	< 1 mW
Colour, RAL	7016	Functions	Normal / test mode, Manual ON / ON-OFF
Includes corner wall mount	No	Twilight setting	2 – 2000 lx
Installation site	wall	Time setting	5 s – 60 Min.
Installation	Surface wiring, Wall	Basic light level function	No

iHF 3D

COM1 - anthracite
EAN 4007841 066178
Article number 066178



Technical specifications

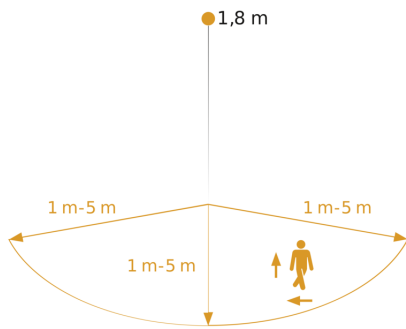
IP-rating	IP54
Ambient temperature	from -20 up to 50 °C
Material	Plastic
Mains power supply	220 – 240 V / 50 – 60 Hz
Switching output 1, resistive	2000 W
Technology, sensors	iHF (intelligent high-frequency technology), Light sensor
Mounting height	1,80 – 2,00 m
Mounting height max.	2,00 m

Main light adjustable	No
Twilight setting TEACH	Yes
Constant-lighting control	No
Interconnection	Yes
Type of interconnection	Master/master
Interconnection via	Cable, Bluetooth
Product category	Motion detector

iHF 3D

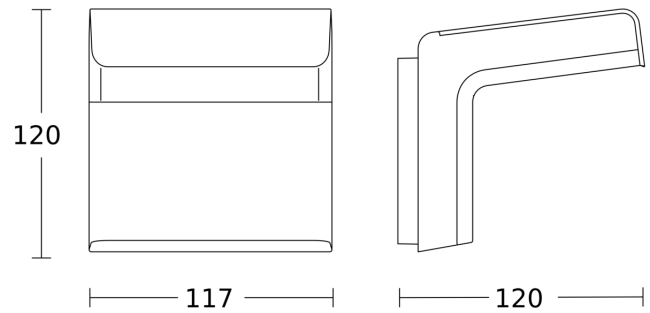
COM1 - anthracite
EAN 4007841 066178
Article number 066178

Detection Zone



Possible mounting height: 1,80 m - 2,00 m
Orange: radial and tangential
3 scalable axes

Dimension Drawing



Master circuit diagram

